

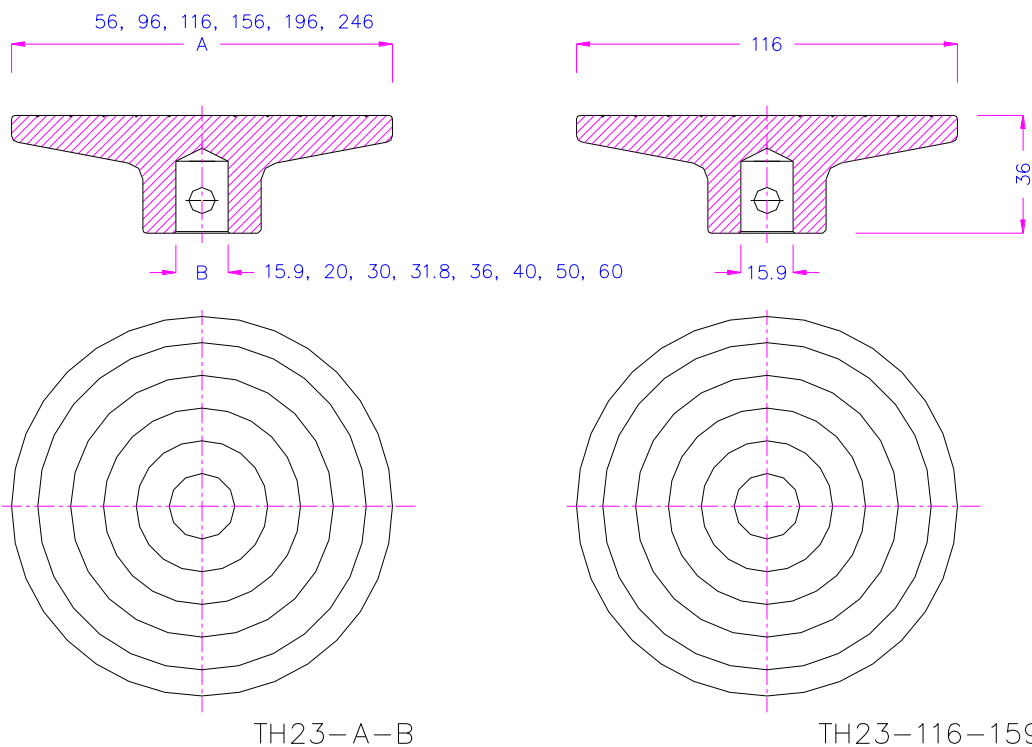
COMPRESSION PLATENS

Item number: TH23-A-B-C

A Diameter of platen [mm] 56, 96, 116, 156, 196, etc.

B Coupling

C Material: Al = Aluminium or St = Steel



Examples:



TH23-116-Af318-St

116 mm diameter
Adapter female 31.8 mm
Steel, nickel-coated




TH23-156-Am317-St

156 mm diameter
Adapter male 31.7 mm
Steel, nickel-coated

Aluminium platens


For soft samples, cardboards, plastics, etc.

Max. load:	Depends on coupling size	
Material:	Aluminium, anodized	
Temperature range:	-70°C ... +180°C Further temperature ranges on request	
Flatness tolerance:	0.02 mm	
Weight:	See page 3	
Scope of supply:	1 pair of platens	

Item no.:	Diameter:	Coupling:
TH23-56-B-Al	56 mm	B*
TH23-96-B-Al	96 mm	B*
TH23-116-B-Al	116 mm	B*
TH23-156-B-Al	156 mm	B*
TH23-196-B-Al	196 mm	B*
TH23-246-B-Al	246 mm	B*
TH23-296-B-Al	296 mm	B*

Steel platens

For hard materials, steel, plastics, stone, etc.

Max. capacity:	Depends on coupling size	
Material:	Hardened steel 58 HRC, nickel-plated	
Temperature range:	-70°C ... +350°C Further temperature ranges on request	
Flatness tolerance:	0.02 mm	
Weight:	See page 3	
Scope of supply:	1 pair of platens	

Item no.:	Diameter:	Coupling:
TH23-56-B-St	56 mm	B*
TH23-96-B-St	96 mm	B*
TH23-116-B-St	116 mm	B*
TH23-156-B-St	156 mm	B*
TH23-196-B-St	196 mm	B*
TH23-246-B-St	246 mm	B*
TH23-296-B-St	296 mm	B*
TH23-344-B-St	344 mm	B*

B* Couplings: Female= Af [mm] 15.9, 19.1, 20, 30, 31.8, 32, 36, 40, etc.
(Adapter) Male=Am [mm] Am15.8, Am20, Am31.7, etc.

Platens with other dimensions and surfaces on request

Weights:

Aluminium platen:

Item no.:	Weight per platen (without pin)
TH23-56-Af159-Al	0.096 kg
TH23-56-Af20-Al	0.09 kg
TH23-96-Af159-Al	0.22 kg
TH23-96-Af20-Al	0.21 kg
TH23-96-Af318-Al	0.46 kg
TH23-96-Af38-Al	0.47 kg
TH23-116-Af159-Al	0.39 kg
TH23-116-Af20-Al	0.39 kg
TH23-116-Af30-Al	0.56 kg
TH23-116-Af318-Al	0.55 kg
TH23-156-Af159-Al	0.64 kg
TH23-156-Af20-Al	0.61 kg
TH23-156-Af318-Al	0.98 kg
TH23-156-Af36/18-Al	1.00 kg
TH23-156-Af38/16-Al	0.98 kg
TH23-196-Af159-Al	1.23 kg
TH23-196-Af20-Al	1.20 kg
TH23-196-Af318-Al	1.56 kg
TH23-246-Af159-Al	1.86 kg
TH23-246-Af20-Al	1.85 kg
TH23-296-Af159-Al	3.00 kg

Steel platen:

Item no.:	Weight per platen (without pin)
TH23-56-Af159-St	0.27 kg
TH23-56-Af20-St	0.26 kg
TH23-56-Af30-St	0.66 kg
TH23-56-Af318-St	0.83 kg
TH23-56-Af40-St	0.58 kg
TH23-96-Af159-St	0.60 kg
TH23-96-Af20-St	0.58 kg
TH23-96-Af318-St	1.44 kg
TH23-96-Af36/18-St	1.43 kg
TH23-96-Af38/16-St	1.22 kg
TH23-96-Af50/25-St	4.11 kg
TH23-96-Af60/25-St	2.95 kg
TH23-96-Af60/30-35-St	3.25 kg
TH23-116-Af159-St	1.00 kg
TH23-116-Af20-St	1.04 kg
TH23-116-Af30-St	1.85 kg
TH23-116-Af318-St	1.55 kg
TH23-116-Af36/18-St	1.72 kg
TH23-116-Af38-St	1.68 kg
TH23-116-Af40-St	1.67 kg
TH23-116-Af60/25-St	2.96 kg
TH23-116-Af60/30-35-St	3.09 kg
TH23-156-Af159-St	2.03 kg
TH23-156-Af20-St	1.94 kg
TH23-156-Af30-St	2.42 kg
TH23-156-Af318-St	2.93 kg
TH23-156-Af36/18-St	2.85 kg
TH23-156-Af38/16-St	2.54 kg
TH23-156-Af40-St	2.7 kg
TH23-156-Af50/25-St	3.82 kg
TH23-156-Af60/25-St	5.00 kg
TH23-156-Af60/30-30-St	5.12 kg
TH23-156-Af60/30-35-St	4.92 kg
TH23-196-Af159-St	3.30 kg
TH23-196-Af20-St	3.44 kg
TH23-196-Af318-St	4.60 kg
TH23-196-Af38-St	4.00 kg
TH23-196-Af40-St	4.50 kg
TH23-196-Af50/25-St	7.02 kg
TH23-196-Af60/25-St	6.55 kg
TH23-196-Af60/30-30-St	6.92 kg
TH23-196-Af60/30-35-St	6.76 kg
TH23-246-Af318-St	7.77 kg

Examples for customized platens:



TH23-116-Af159-AI
with additional adapter
THS626-158-158



TH23-196-Af30-St-20xM8
Steel platen with M8 threaded holes



TH23-96-Af20-St-M5
with M5 threaded stud



TH23-20-Am12-St
20 mm diameter, coupling Am12



TH23-10-Af159
10 mm diameter, coupling Af159



TH23-116-159-Rin-V2a



TH23-Q50-R1-Af20-St
For compression test on conduit
systems for cable management
according to EN61386-1



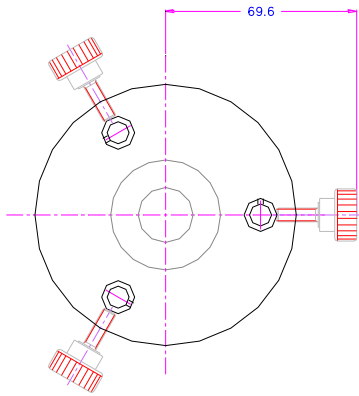
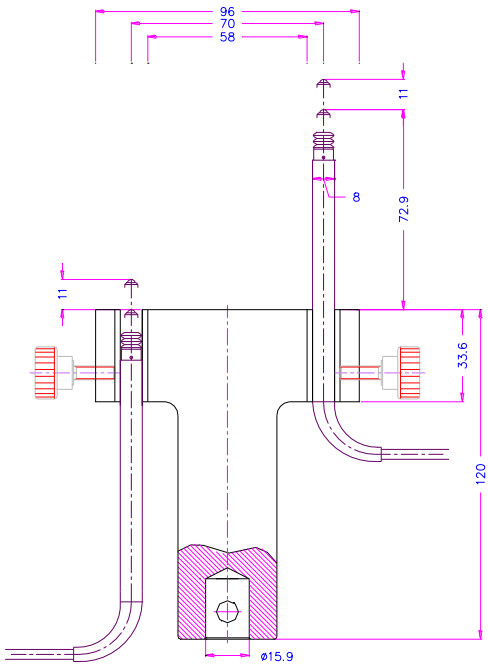
TH23-Q50-R1-Af20-St
For compression test on conduit
systems for cable management
according to EN61386-1



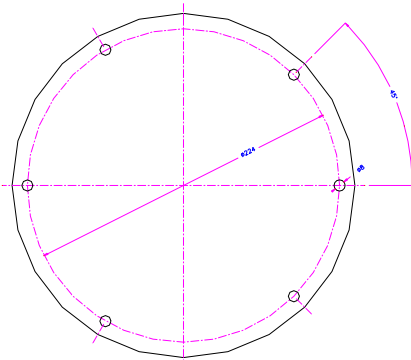
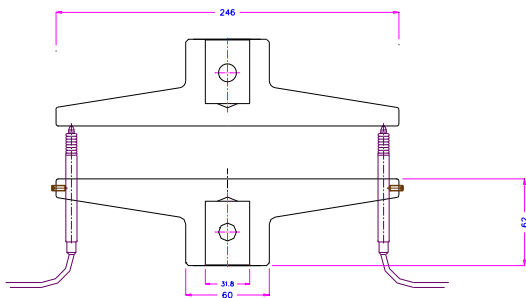
TH23-096-Af318-TiNi
Titanium nitride coating – extremely
hard surface, wear-resistant,
temperature resistant up to 550°C

TH23 for use with analogue contact gauging sensors to measure distance directly:

TH23-96-Af159-LVDT



TH23-246-Af318-LVTD





TH23-156-Am35-H230+ITH6



TH23-156-Am50+ITH6



TH23-150-Am3014+ITH6-D21-133



TH23-096-Af159-H120+ITH6mu



TH23-40x40-Af20

Rectangular platen
40x40mm
Adapter 20/8

hardened
Nickel surface

Similar fixtures:



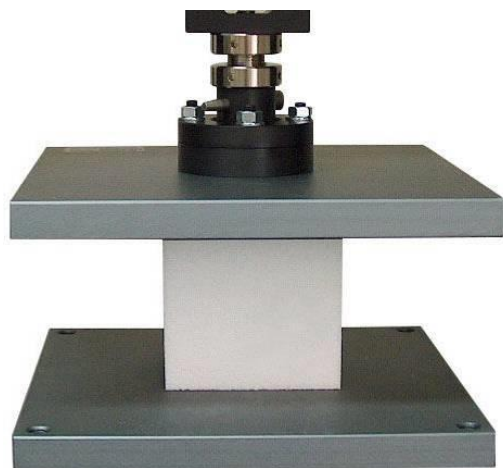
THS223 spherically seated, moveable platen
 TH23 rigid platen

THS223

Spherically seated and self-adjusting platens

[THS223 Datasheet.pdf](#)

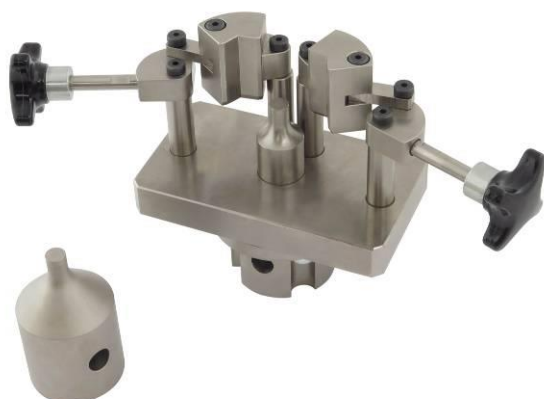
TH23 and THS223 platens can be combined.
 Ordering information for combination
 "rigid + self-adjusting platen":
 0.5 pair TH23 + 1x THS223



TH36

Rectangular aluminium and steel compression platens

[TH36 Datasheet.pdf](#)



THS838-Af318-ASTM-C1424

Small compression platens with foldable guides to test monotonic compressive strength of advanced ceramics according to ASTM-C1424